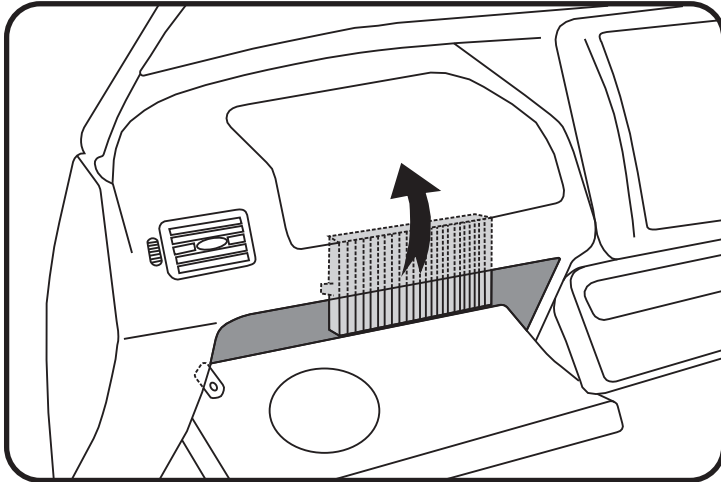


RYCO FILTERS



FITTING INSTRUCTIONS FOR RYCO CABIN FILTER RCA106P. Suits Hyundai Sonata 1999 - 2003 & Hyundai XG 2001 - on (Filter located in glove box)



- 1: SONATA, Open glove box, press both sides of glove box inward then lower glove box.
XG, Open the bonnet and remove the glove box stop then lower the glove box.
- 2: SONATA, remove the lower side instrument panel trim pad, remove the four glove box upper cover retaining screws then the cover, remove the two glove box retaining bolts then remove the glove box. Press on the filter cover tab and remove the cover.
XG, Remove the two glove box retaining bolts then the two retaining screws then the glove box. Remove the lower side instrument panel trim pad, disconnect electrical connector, push downwards on the blower unit under cover then remove the cover.
- 3: SONATA, Remove used filter from housing, install new RYCO filter making sure air flow arrow is facing correct direction then replace filter cover.
XG, Remove used filter from housing, install new RYCO filter making sure air flow arrow is facing correct direction then replace filter cover, reinstall blower unit under cover and reconnect electrical connector.
- 4: SONATA, Position glove box to instrument panel, install two retaining bolts and glove box upper cover, replace lower side instrument panel trim pad and lift the glove box into position, replace the four glove box upper cover retaining screws then close the glove box.
XG, Position glove box to instrument panel, install two retaining bolts and glove box upper cover, replace the lower side instrument panel trim pad, position the glove box to the instrument panel and install two glove box attaching screws, lift glove box into position, replace the stop then close the glove box.

GUD Automotive Pty Ltd
245 Sunshine Road Tottenham
Victoria 3012 Australia.
www.rycofilters.com.au

GUD (NZ) Ltd
626A Rosebank Road Avondale
Auckland, New Zealand
www.ryco.co.nz