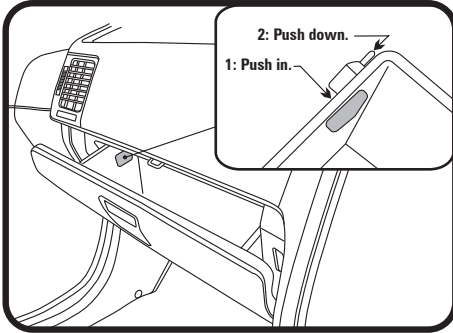
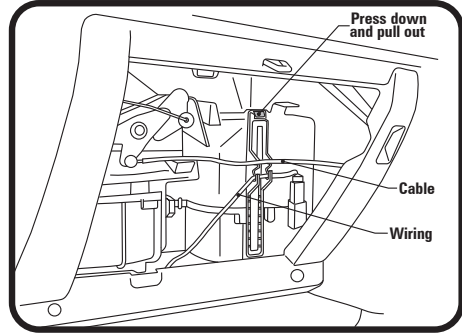


## FITTING INSTRUCTIONS FOR RYCO CABIN FILTER RCA107M

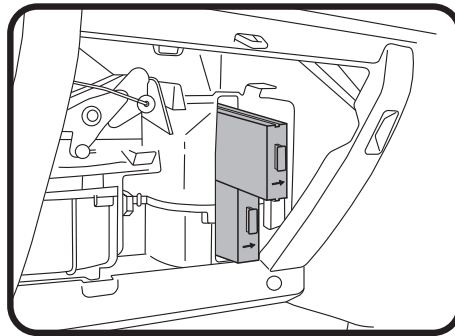
### HYUNDAI GETZ (Filter is located behind glove box)



1: Open glove box and remove retaining pins on either side of glove box, then fully open glove box.



2: Remove cable and wiring from filter cover plate, push down and pull out to remove cover plate.



3: Remove used filters, replace with new RYCO filters (note direction of flow arrow) and reinstall all previously removed parts.

**RYCO Group Pty Ltd**  
29 Taras Ave Altona North  
Victoria 3025 Australia  
[www.rycofilters.com.au](http://www.rycofilters.com.au)

**RYCO Group - A division of  
GUD (NZ) Holdings Limited.**  
19 Bell Avenue, Otahuhu,  
Auckland 1060, New  
Zealand [www.ryco.co.nz](http://www.ryco.co.nz)