

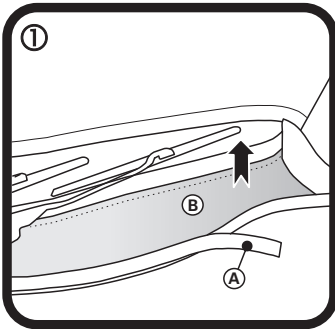
RYCO FILTERS



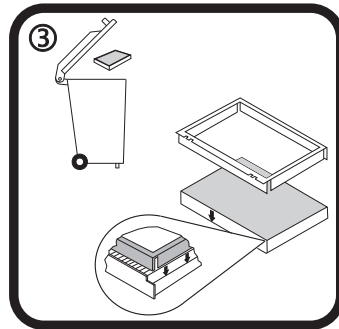
FITTING INSTRUCTIONS FOR RYCO CABIN FILTER RCA118C.

AUDI A3 & TT

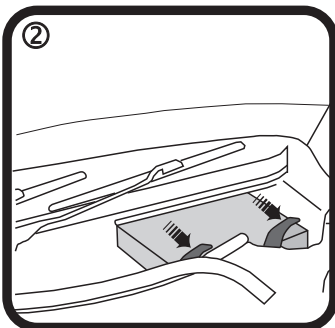
Filter located in engine bay
under windscreen



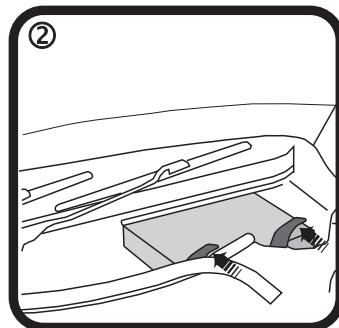
Remove weather strip **A**
and fold cover back **B**



Dispose of used filter, fit new
RCA118C to frame, ends of
frame fit into last pleat at ends
of filter.



Undo 2 clips by pulling to
front of vehicle, remove
filter and frame.



Fit new filter and frame into
housing, push clips to lock,
close cover and replace
weather strip.

GUD Automotive Pty Ltd
245 Sunshine Road Tottenham
Victoria 3012 Australia.
www.rycofilters.com.au

GUD (NZ) Ltd
626A Rosebank Road Avondale
Auckland, New Zealand
www.ryco.co.nz