

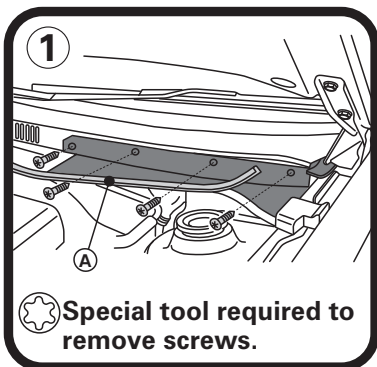
RYCO FILTERS



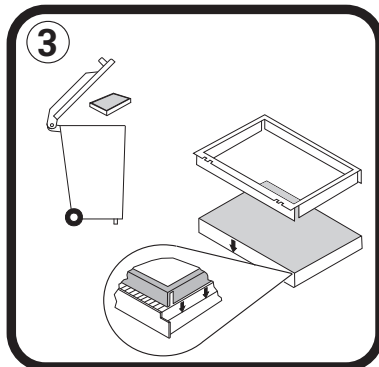
FITTING INSTRUCTIONS FOR RYCO CABIN FILTER RCA118C.

VW BORA

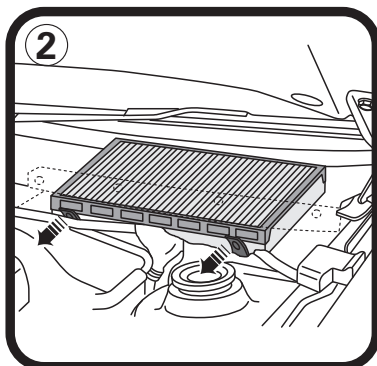
Filter located in engine bay
under windscreen



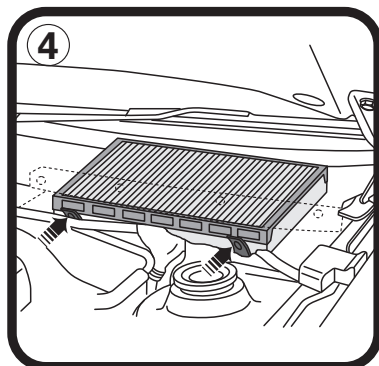
Remove weather strip **A**
undo 4 screws and remove
cover by pulling forwards.



Dispose of used filter, fit new
RCA118C to frame, noting
flow direction.



Undo 2 clips by pulling to
front of vehicle, remove
filter and frame.



Fit new filter and frame into
housing, push clips to lock,
replace cover, screws and
weather strip.

GUD Automotive Pty Ltd
245 Sunshine Road Tottenham
Victoria 3012 Australia.
www.rycofilters.com.au

GUD (NZ) Ltd
626A Rosebank Road Avondale
Auckland, New Zealand
www.ryco.co.nz